

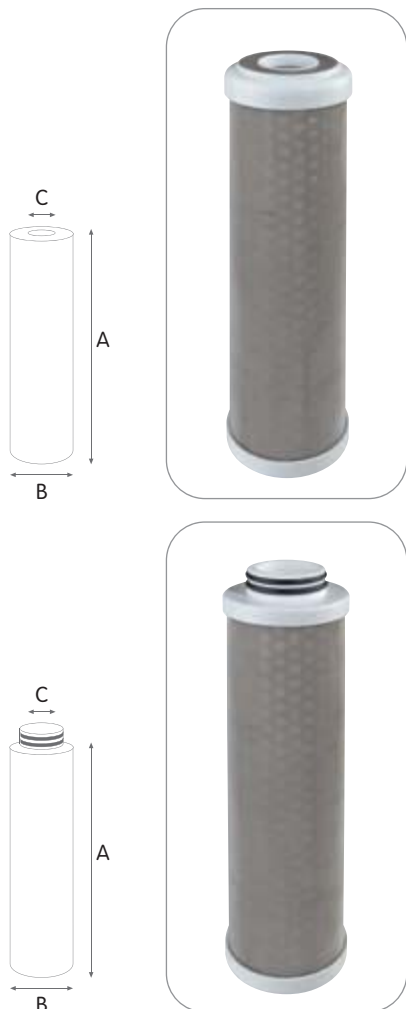


RA A stainless steel washable net AISI 316

Sediment filtration.

Average life-span: from 3 to 5 years.

Maintenance: wash every month at least.



RA cartridges are available in a variety of:

CONFIGURATIONS:

- SX standard configuration double open end (DOE) available for every height and diameter.
- BX proprietary configuration with double o-ring collar 45 mm, suitable to PLUS 3P BX housings, DP housings, K DP housings.
- CX proprietary configuration with double o-ring collar 57 mm, suitable to PLUS 3P CX, K DP housings.

MODELS:

- RA MIGNON series 5" M OD 1.77" ID 0.71", SX configuration.
- RA series from 4" to 20" OD 2.40" ID 1.10", SX, BX, CX configurations.

VARIANTS AVAILABLE ON MINIMUM QUANTITY:

- Filter rates from 100 to 500 micron.

CERTIFICATIONS



RA cartridges are tested and certified under the most stringent procedures worldwide, in compliance with DM 25 (Italy), with the sanitary certification ACS (France), EAC/Ghostreghistrasia (Russia) and WaterMark (Australia).

WORKING CONDITIONS

Max working temperature $\leq 80^{\circ}\text{C}$ (176°F)

Min working temperature $\geq 4^{\circ}\text{C}$ (39,2°F)

SPECIFICATIONS

Non-toxic materials, suitable for drinking water.

Filter medium and inner armoring: stainless steel net AISI 316.

Inner core and end caps: polypropylene.

Flat seals SX: SEBS with antimicrobial technology.

O-rings BX and CX: EPDM.

Cartridges with stainless steel net and stainless steel inner armoring, with consistent water flow and very low pressure drop, standard filtration at 70 micron. Easy-to-wash filter net, long term durability of the materials and high collapse resistance make this cartridge range the most suitable for well water filtration. Available in 2 main versions: RA A made with AISI 316 stainless steel, RA C made with AISI 304 stainless steel. Height from 4" to 20".

RA A SX

STAINLESS STEEL AISI 316 WASHABLE NET WITH DOUBLE OPEN END (DOE)

CODE	MODEL	NOMINAL HEIGHT	NOMINAL FILTRATION MICRON	RECOMMENDED FLOW RATE l/h	DIMENSIONS MM		
					A	B	C
OD 1,77" x ID 0,71"							
RA5060116	RA MIGNON A SX 70 mcr	5" M	70	800	122	50	20
OD 2,40" x ID 1,10"							
RA5061116	RA 4 A SX 70 mcr	4"	70	1000	101	70	30
RA5062116	RA 5 A SX 70 mcr	5"	70	1200	125	70	30
RA5064116	RA 7 A SX 70 mcr	7"	70	1700	173	70	30
RA5065116	RA 10 A SX 70 mcr	10"	70	2500	250	70	30
RA5067116	RA 20 A SX 70 mcr	20"	70	4000	505	70	30

RA A BX

STAINLESS STEEL AISI 316 WASHABLE NET WITH DOUBLE O-RING COLLAR 45 MM

CODE	MODEL	NOMINAL HEIGHT	NOMINAL FILTRATION MICRON	RECOMMENDED FLOW RATE l/h	DIMENSIONS MM		
					A	B	C
OD 2,40" x ID 1,10"							
RA5062216	RA 5 A BX 70 mcr	5"	70	1200	125	70	30
RA5064216	RA 7 A BX 70 mcr	7"	70	1700	173	70	30
RA5065216	RA 10 A BX 70 mcr	10"	70	2500	250	70	30
RA5067216	RA 20 A BX 70 mcr	20"	70	4000	505	70	30

RA A CX

STAINLESS STEEL AISI 316 WASHABLE NET WITH DOUBLE O-RING COLLAR 57 MM

CODE	MODEL	NOMINAL HEIGHT	NOMINAL FILTRATION MICRON	RECOMMENDED FLOW RATE l/h	DIMENSIONS MM		
					A	B	C
OD 2,40" x ID 1,10"							
RA5065316	RA 10 A CX 70 mcr	10"	70	2500	250	70	40
RA5067316	RA 20 A CX 70 mcr	20"	70	4000	505	70	40



RA C stainless steel washable net AISI 304

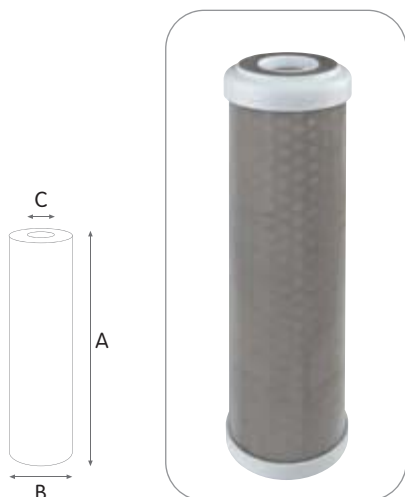
Sediment filtration.
Average life-span: from 3 to 5 years.
Maintenance: wash every month at least.

WORKING CONDITIONS

Max working temperature $\leq 80^{\circ}\text{C}$ (176°F)
 Min working temperature $\geq 4^{\circ}\text{C}$ ($39,2^{\circ}\text{F}$)

SPECIFICATIONS

Non-toxic materials, suitable for drinking water.
 Filter medium and inner armouring: stainless steel net AISI 304.
 Inner core and end caps: polypropylene.
 Flat seals SX: SEBS with antimicrobial technology.
 O-rings BX and CX: EPDM.



RA C SX

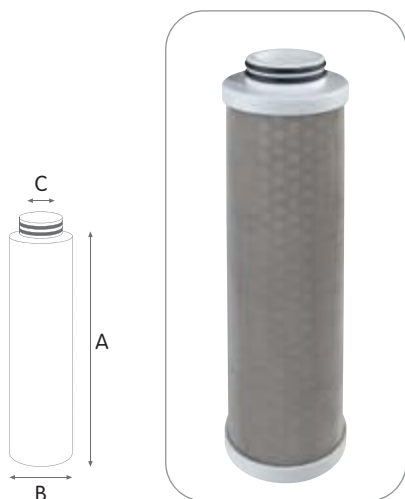
STAINLESS STEEL AISI 304 WASHABLE NET WITH DOUBLE OPEN END (DOE)

CODE	MODEL	NOMINAL HEIGHT	NOMINAL FILTRATION MICRON	RECOMMENDED FLOW RATE l/h	DIMENSIONS MM		
					A	B	C
OD 1,77" x ID 0,71"							
RA5080116	RA MIGNON C SX 70 mcr	5" M	70	800	122	50	20
OD 2,40" x ID 1,10"							
RA5081116	RA 4 C SX 70 mcr	4"	70	1000	101	70	30
RA5082116	RA 5 C SX 70 mcr	5"	70	1200	125	70	30
RA5084116	RA 7 C SX 70 mcr	7"	70	1700	173	70	30
RA5085116	RA 10 C SX 70 mcr	10"	70	2500	250	70	30
RA5087116	RA 20 C SX 70 mcr	20"	70	4000	505	70	30

RA C BX

STAINLESS STEEL AISI 304 WASHABLE NET WITH DOUBLE O-RING COLLAR 45 MM

CODE	MODEL	NOMINAL HEIGHT	NOMINAL FILTRATION MICRON	RECOMMENDED FLOW RATE l/h	DIMENSIONS MM		
					A	B	C
OD 2,40" x ID 1,10"							
RA5082216	RA 5 C BX 70 mcr	5"	70	1200	125	70	30
RA5084216	RA 7 C BX 70 mcr	7"	70	1700	173	70	30
RA5085216	RA 10 C BX 70 mcr	10"	70	2500	250	70	30
RA5087216	RA 20 C BX 70 mcr	20"	70	4000	505	70	30



RA C CX

STAINLESS STEEL AISI 304 WASHABLE NET WITH DOUBLE O-RING COLLAR 57 MM

CODE	MODEL	NOMINAL HEIGHT	NOMINAL FILTRATION MICRON	RECOMMENDED FLOW RATE l/h	DIMENSIONS MM		
					A	B	C
OD 2,40" x ID 1,10"							
RA5085316	RA 10 C CX 70 mcr	10"	70	2500	250	70	40
RA5087316	RA 20 C CX 70 mcr	20"	70	4000	505	70	40

FLOW RATE vs PRESSURE DROP Δp

Tests carried on 10" elements type **RA 10 SX**.
 Testing mode: 20°C, 3 BAR

