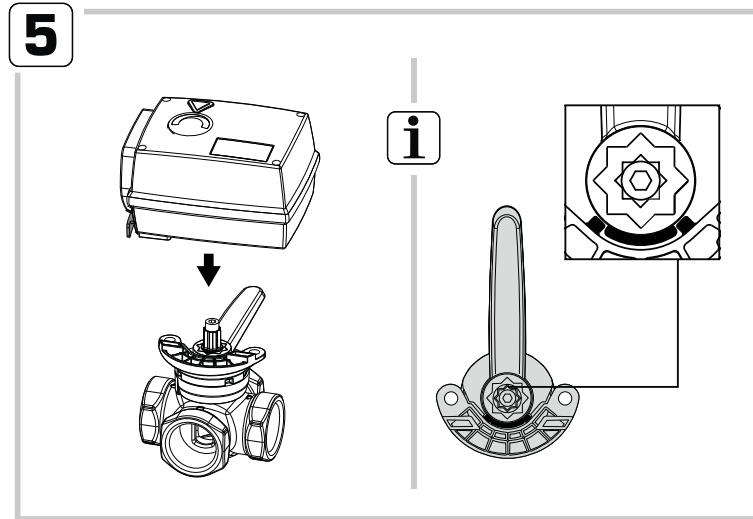
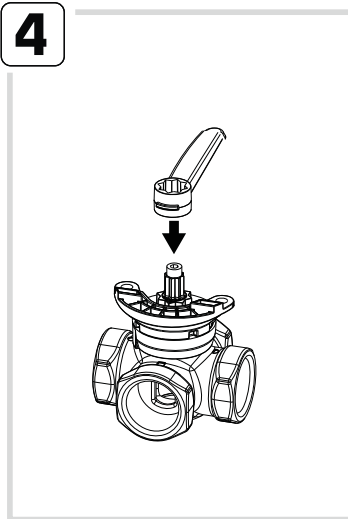
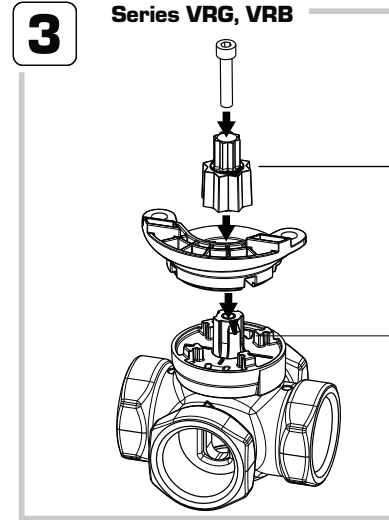
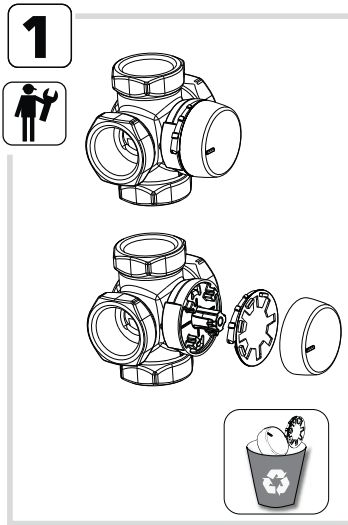
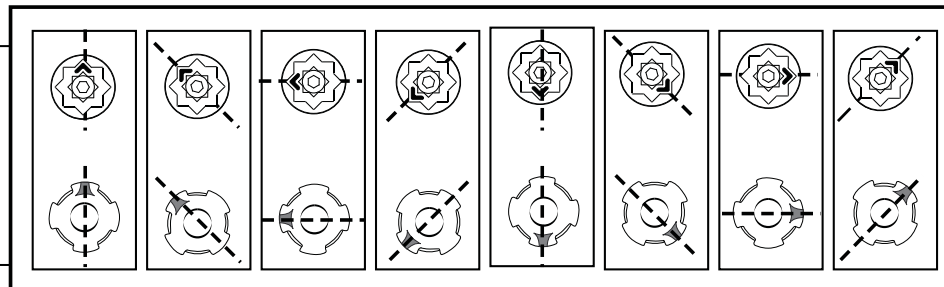
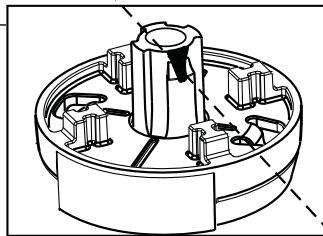
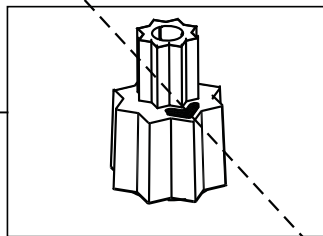


# ESBE ADAPTER KIT VRG801



Series 90  
Series 90K  
Series CRA120

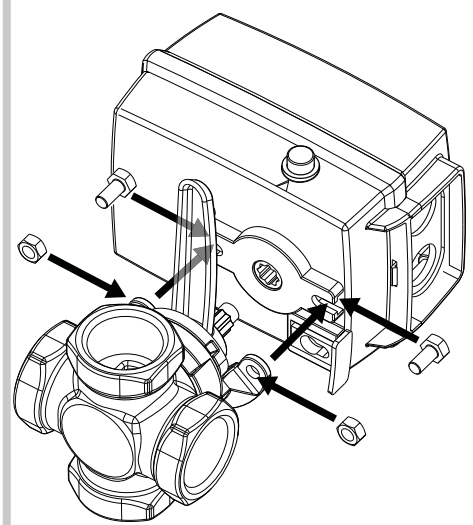




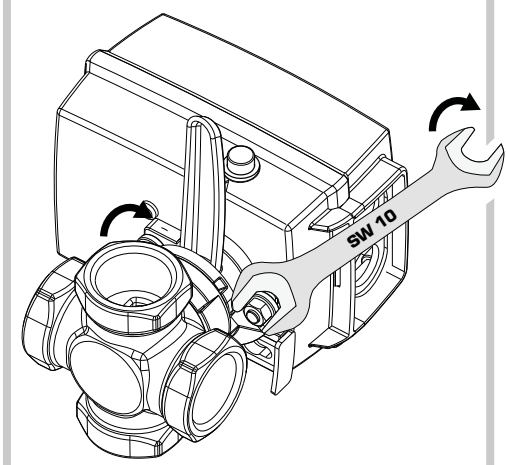
www.esbe.se

Mtrl.nr: 9814 03 02 • Ritn.nr: 8085 utg. F • Rev. 1109

**6**



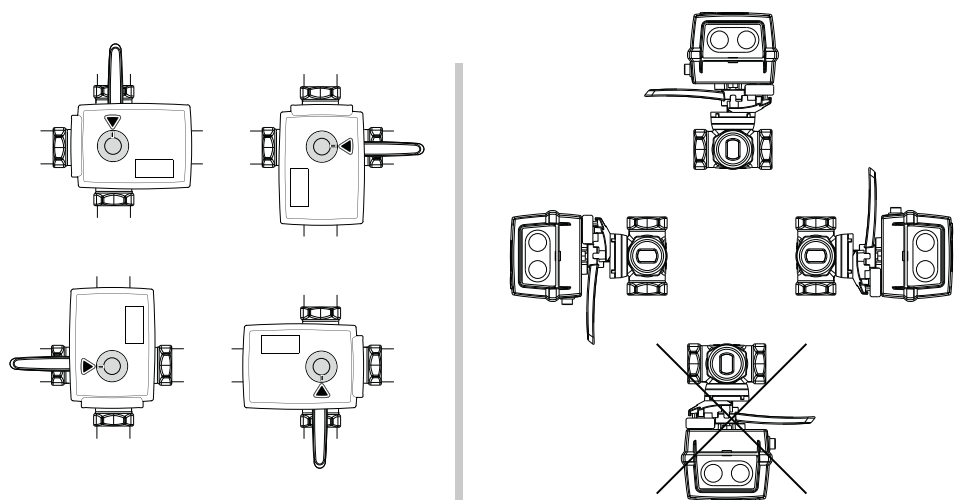
**7**



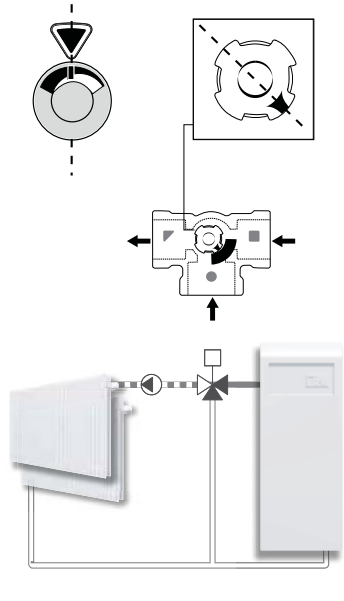
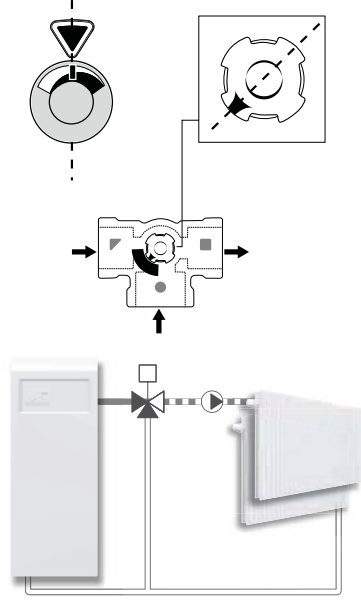
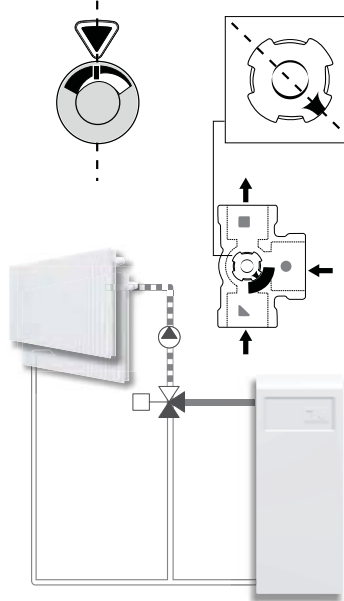
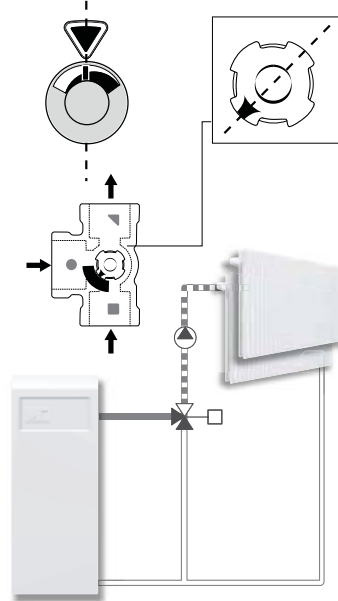
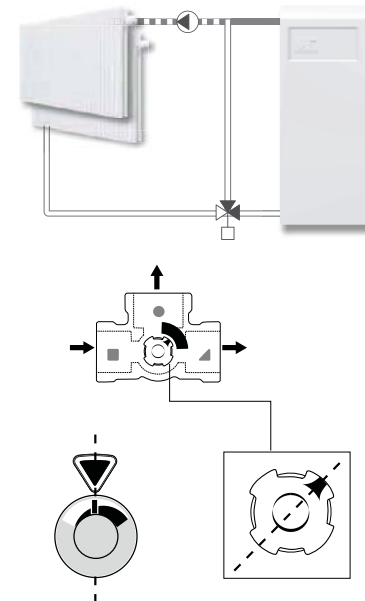
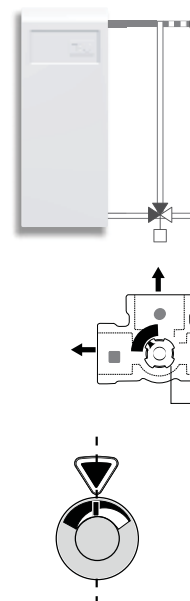
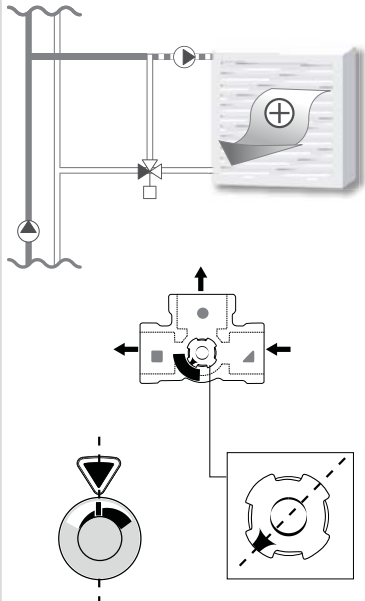
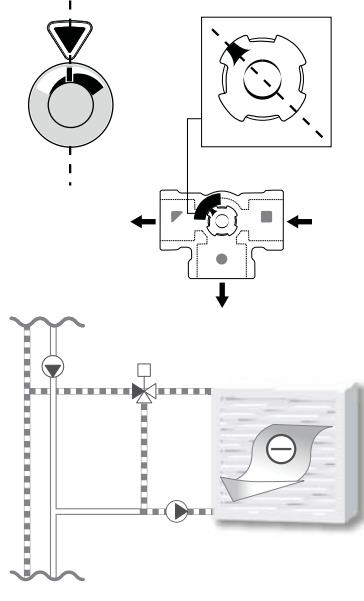
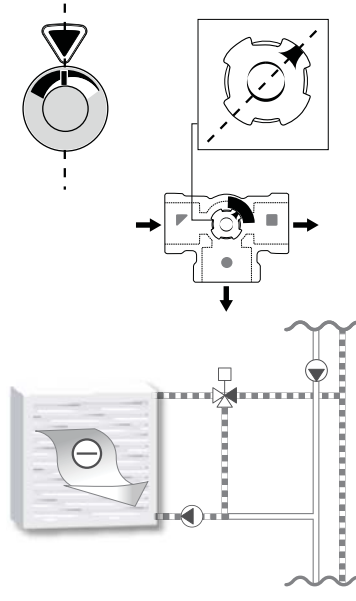
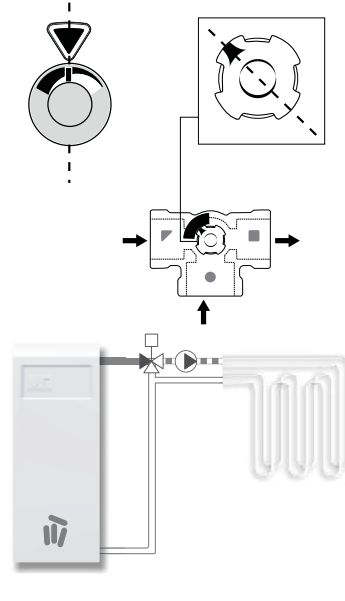
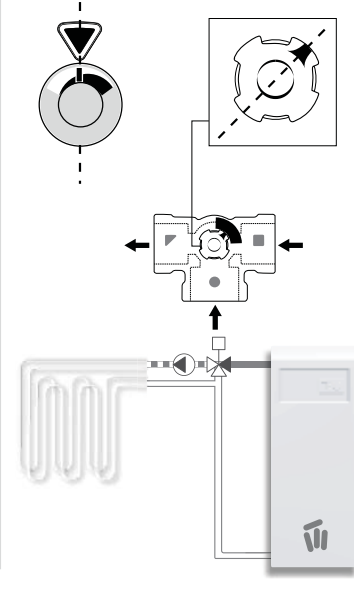
**ADAPTER KIT VRG801**

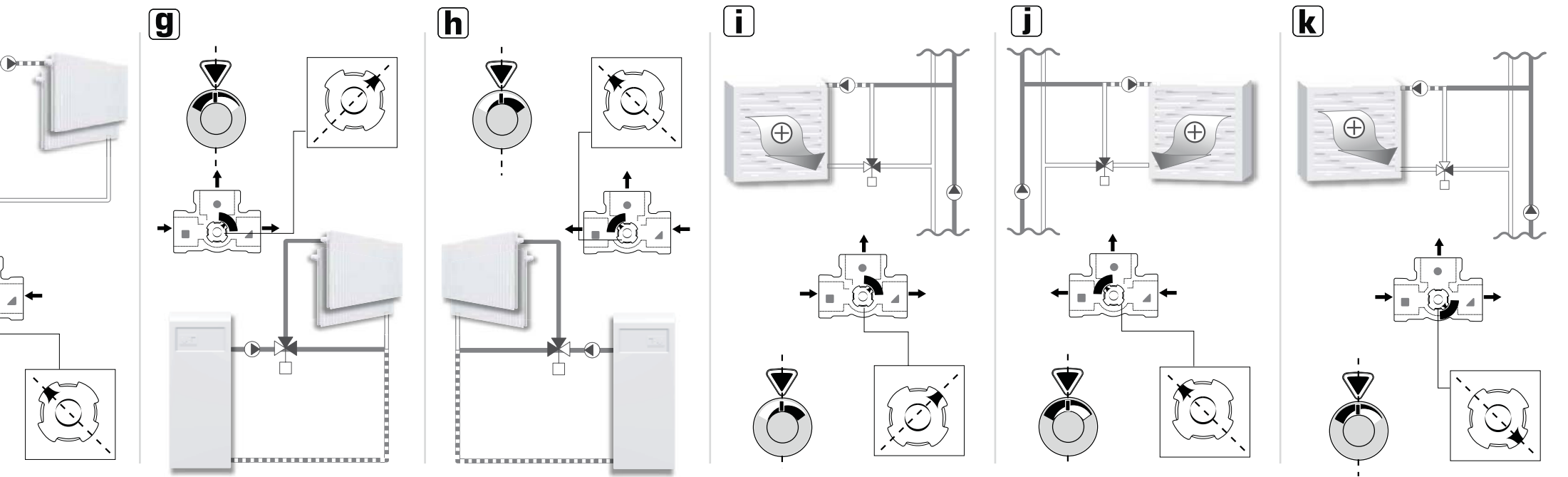


NO.1 IN HYDRONIC SYSTEM CONTROL



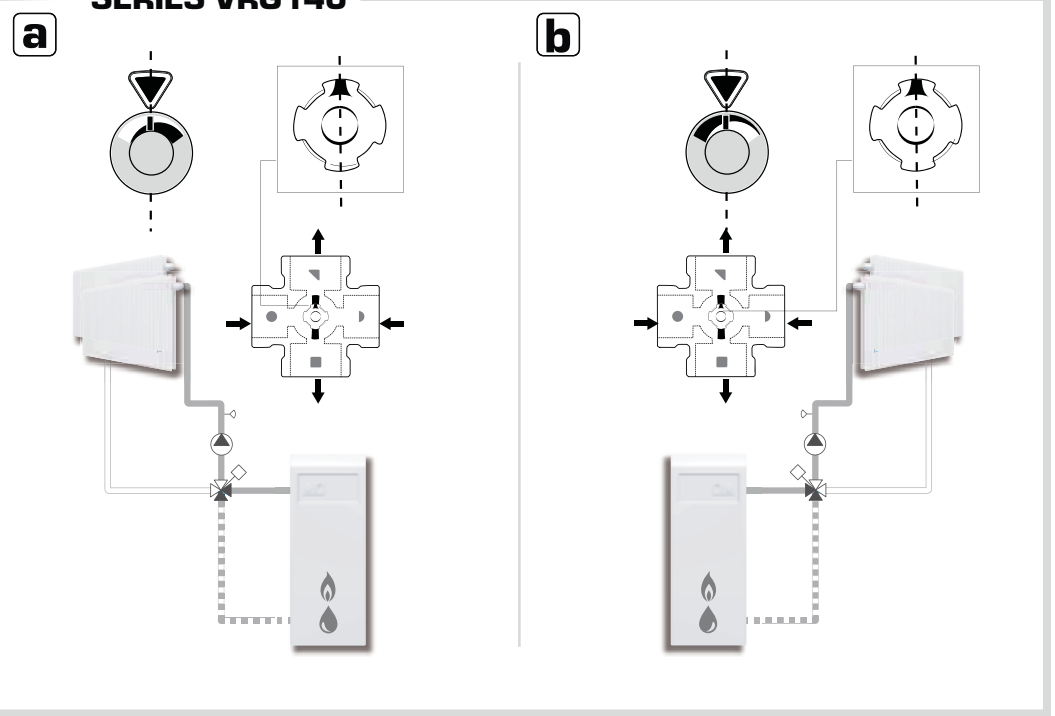


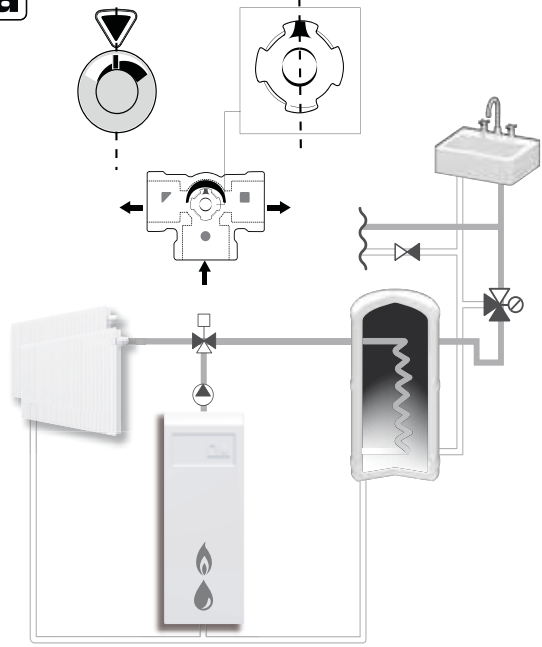
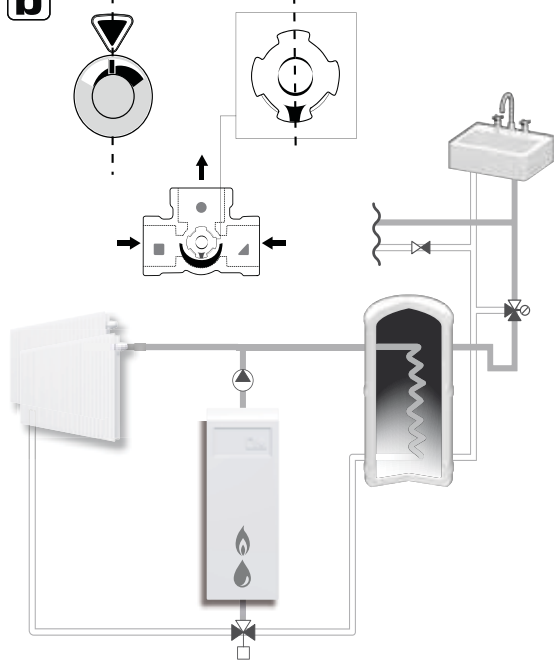
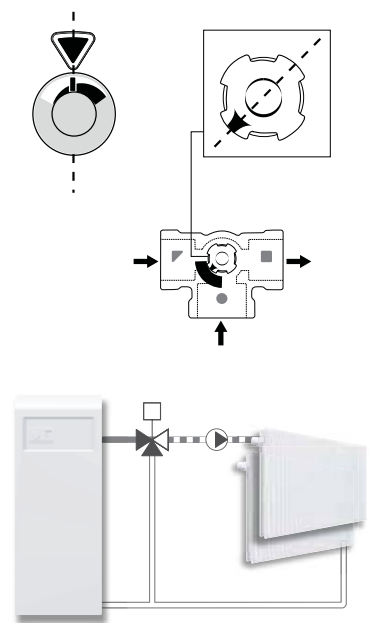
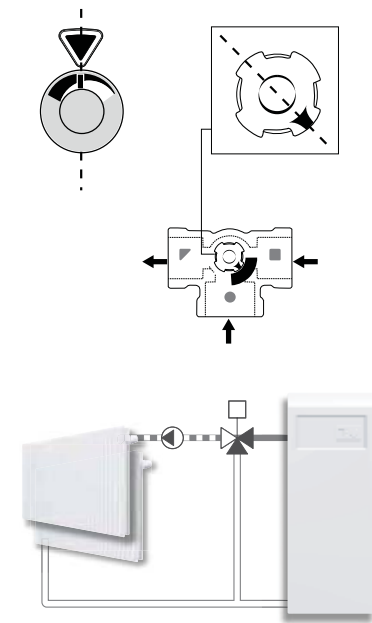
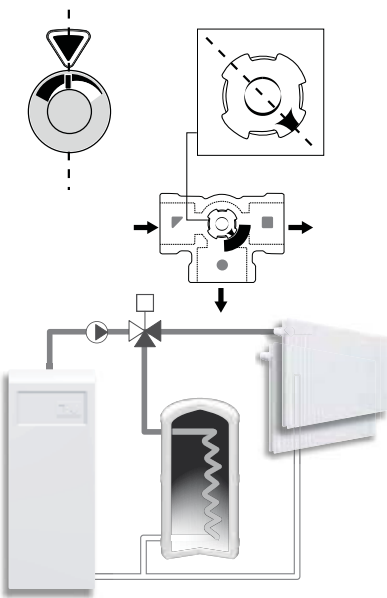
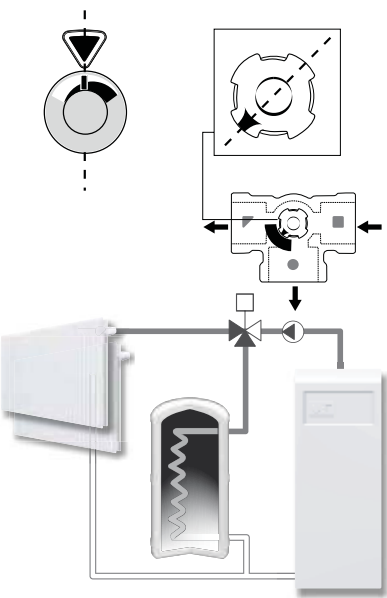
**a****b****c****d****e****f****g****h****i****j****k**



SERIES VRG130

**SERIES VRG140**



**a****b****SERIES VRG330****a****b****c****d**

*"We would like to pinpoint to the existence of a German patent DE 1 982 1 256 C5 affecting the usage of a 4-way valves in liquid circulation heating systems. In this patent the usage of a 4-way bi-vent valve in a type of heating system is protected in which 2 different heating circuits are operated in parallel, where the return of the first circuit is utilized as heat source for the second circuit. The patent holder has also applied for a patent in the USA, where the floor heating is heated through its heat source and the return from the primary heat circuit is utilized as alternative secondary heat source for the floor heating. Such a utilization of our bi-vent 4-way valve without approval of the patent holder is forbidden. All other applications our product group VFB are without restrictions possible."*

GENIE HD 10

